

INSTRUCTIONS AND REPAIR PARTS LIST

401RO 1 HOLE ROLL-OUT NEST

READ ALL DIRECTIONS CAREFULLY BEFORE BEGINNING INSTALLATION

TOOLS REQUIRED: Straight Blade Screwdriver, Phillips Head Screwdriver, Small Adjustable Wrench, 3/8" Wench, 7/16" Wench and Center Punch

⚠ CAUTION ⚠
SHARP EDGES, ALWAYS WEAR GLOVES
 ALL EDGES EXPOSED TO BIRDS ARE HEMMED. CERTAIN EDGES, HOWEVER, ARE NOT HEMMED. THESE EDGES MAY BE SHARP. ALWAYS WEAR GLOVES WHEN ASSEMBLING AND MOVING THE UNIT.

401RO Parts List

Ref. No.	Part No.	Description	Qty	Repair
1	401711	Right Partition	1	*
2	401713	Left Partition	1	*
3	401715	Short Panel	1	*
4	401716	Tall Panel	1	*
5	401729	Roof Panel	1	*
6	401731	Perch Board	1	*
7	401734	Short Perch Assembly, Left	1	*
8	401734R	Short Perch Assembly, Right	1	*
401732 - 401RO Hardware Bag Contains Ref. No. 9-13.				*
9	410719	Hanger Bracket	2	*
10	OF181	1/4"-20 x 1-1/2" Hex Head Bolt	4	
11	OF335	1/4"-20 Whiz Hex Nut	4	
12	OF214	10-24 x 1/2" Phillips Round Head Machine Bolt	20	
13	OF53	10-24 Machine Nut	20	
14	401730	Roll-Out Nest Tray & Lid, Poly	1	*

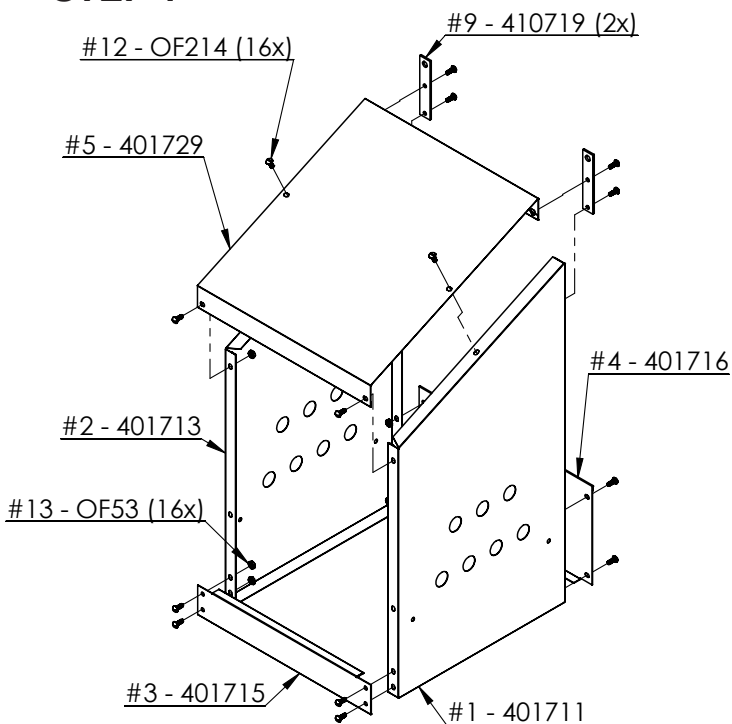
Parts available for repair have an asterisk (*) in the repair column.

ASSEMBLY INSTRUCTIONS

Brower's One Hole Roll-Out Nest, Model 401RO, allows eggs to roll out of the nest either to the front or to the back. To change directions, reverse two panels--Short Panel (Ref. No. 3) and Tall Panel (Ref. No. 4). Slide Roll-Out Nest Tray (Ref. No. 14) across the short panel and then hook the back of the tray over the edge of the tall panel. The perch stays in the same position. The purpose of the back roll out option is to allow the nest to be mounted inside a structure, such as a coop but with the tray protruding through a slot in the coop. This allows eggs to be collected without having to enter the coop.

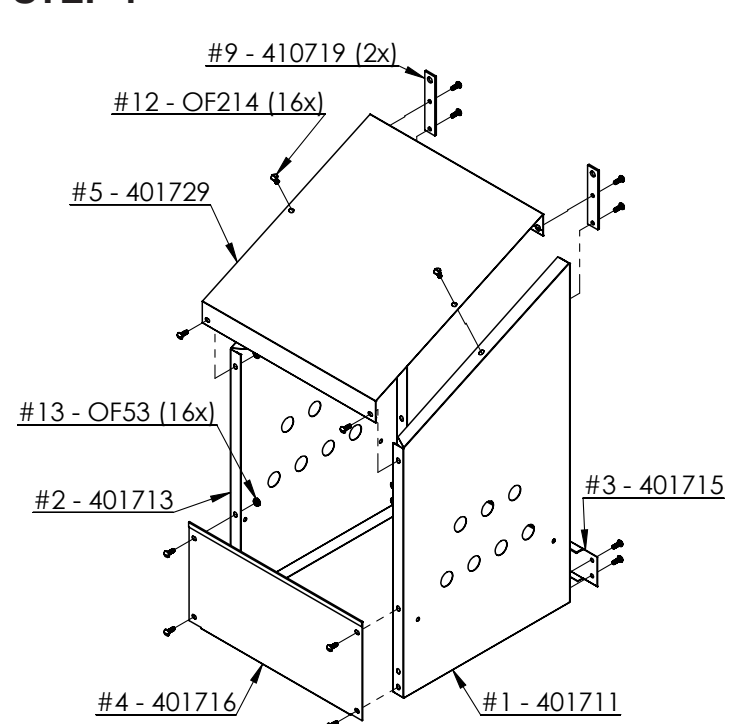
For Roll-Out Nest Tray toward the front.

STEP 1

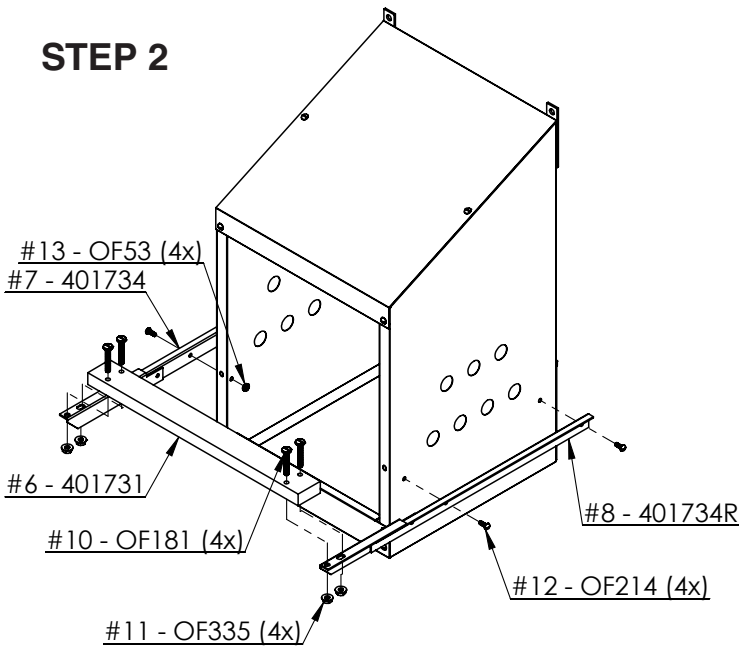


For Roll-Out Nest Tray toward the back.

STEP 1

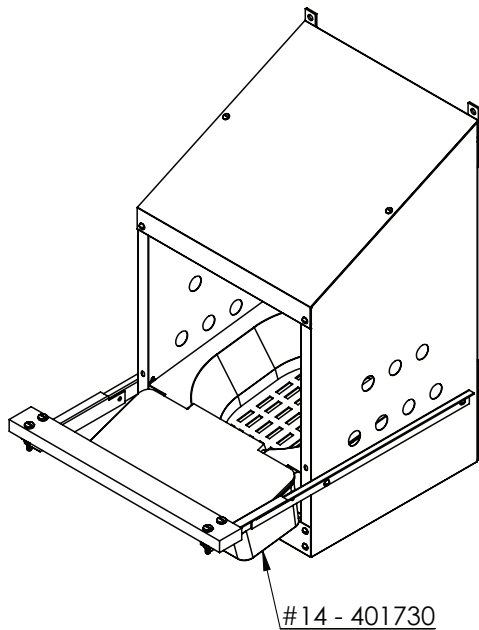


STEP 2

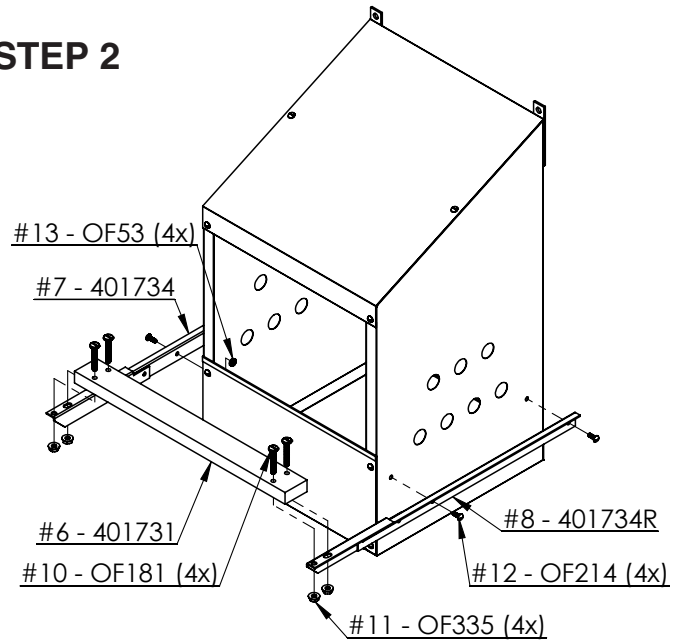


401RO

With the Roll-Out Nest Tray toward the front.

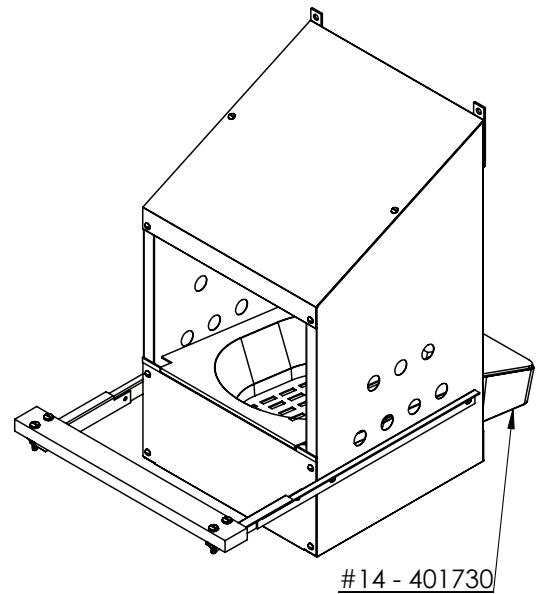


STEP 2



401RO

With the Roll-Out Nest Tray toward the back



MODEL NUMBER

The MODEL NUMBER is: 401RO 1 Hole Roll-Out Nest

WHEN ORDERING PARTS

- (1) Show MODEL NUMBER and NAME: Example - 401RO 1 Hole Roll-Out Nest
- (2) Show PART NUMBER and FULL DESCRIPTION of part: Example - 401731 Perch Board

HOW TO ORDER PARTS

Repair Parts may be ordered from your dealer.

